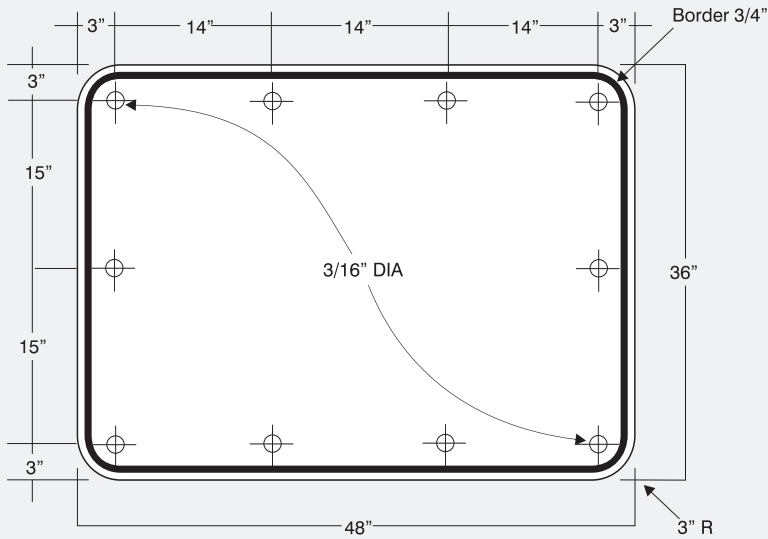
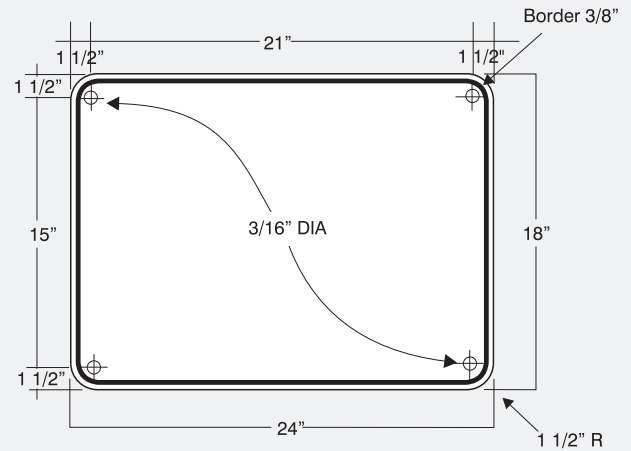


Business Logo Sign Details

Mainline



Ramp



Mainline And Ramp Business Logo Sign

The mainline and ramp/trailblazing signs shall be fabricated from a single sheet of 0.080" aluminum alloy 5052H38 (730.11CMS) or 0.135" fiberglass reinforced plastic. The aluminum shall be treated before applying the reflective sheeting in accordance with the ODOT Standard Specifications.

Reflective Sheeting

High Quality Type G, H or J Reflective Sheeting shall be applied with mechanical equipment in accordance with the manufacturer specifications.

Logo Art Designs

All logo art designs must be approved by Ohio Logos, Inc.. The minimum letter size for mainline panels is 10" and 4" for ramps/trailblazing except that any legend on a symbol or trademark shall be in proportion to the size of the symbol or trademark. When symbols or trademarks are used the logo panels should have a (3/4" mainline - 3/8" ramp/trailblazer) white reflective (730.19 CMS) border.