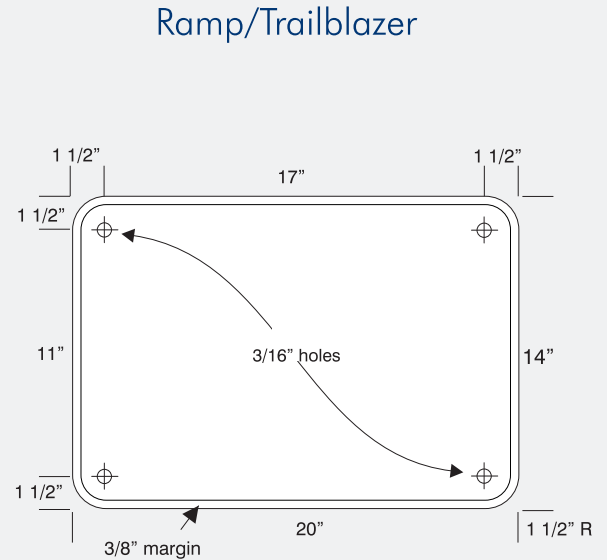
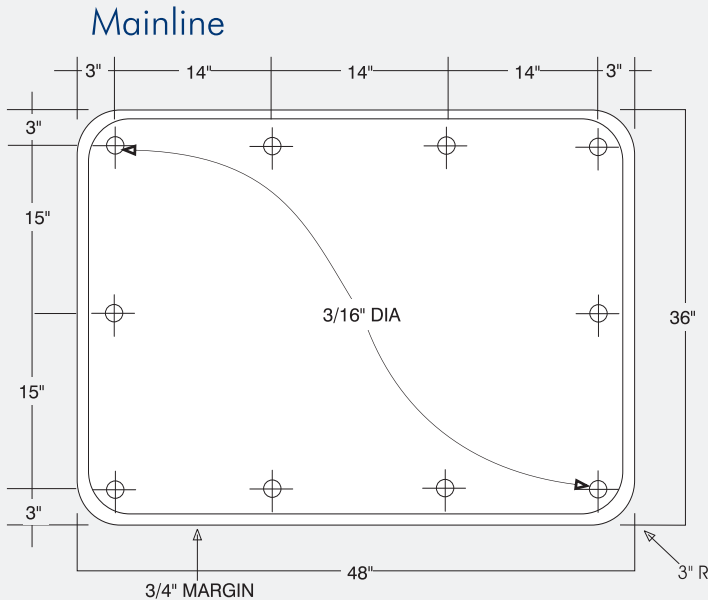


Business Sign Blank Specifications



Mainline, Ramp, and Trailblazer Business Signs

The mainline, ramp, and trailblazer business signs shall be fabricated from a single sheet of .080" thickness, 5052H38 aluminum. The aluminum shall be treated before applying the reflective sheeting in accordance with the NMDOT Standard Specifications.

Reflective Sheeting

Type III or IV retroreflective sheeting shall be applied with mechanical equipment in accordance with the manufacturer's specifications. All colors and legends shall meet the recommended Retroreflective Sheeting requirements in Exhibit 2.1-J of the NMDOT Signing and Striping Manual.

Logo Art Designs

All logo art designs must be approved by NMDOT and/or New Mexico Logos, Inc. The mainline letter size and series for the legend shall be not less than 6"D nor more than 8"D, the ramp letter size and series shall be not less than 3"C nor more than 6"D except that any legend on a symbol or trademark shall be in proportion to the size of the symbol or trademark. When symbols or trademarks are used the mainline business sign should have a 3/4" margin and the ramp and trailblazer sign should have a 3/8" white reflectorized margin.